

Bonded Seal Of Specification

UTECSA

| THREAD DIA. ' M' | | SIZE REF * * * | | D +0.13 -0.00 | d ±0.10 | d 1 ±0.10 | S | R ±0.13 | P | RADIAL GAP G+0.07 INCH B.S.P | |
|---------------------|-------|-------------------|----|---------------------|------------|--------------|------|------------|-----------|------------------------------------|--|
| INCH | B.S.P | | + | | | | | | | | |
| 6BA | | 001 | 1 | 6.35 | 3.05 | 3.5 | 1.2 | 0.54 | 0.2/0.38 | 0.13 | |
| 4BA | | 002 | 2 | 7.26 | 4.12 | 5.26 | | 0.57 | | 0.26 | |
| 2BA | | 003 | 3 | 8.38 | 5.21 | 6.35 | | 0.57 | | 0.26 | |
| 1/4 | | 004 | 4 | 13.21 | 6.86 | 8 | | 0.57 | | 0.26 | |
| 1/4 | | 005 | 5 | 13.34 | 6.99 | 9.53 | | 1.27 | | 0.32 | |
| 5/16 | | 006 | 6 | 13.34 | 8.31 | 9.53 | | 0.56 | | 0.19 | |
| 5/16 | | 007 | 7 | 14.22 | 8.64 | 10.04 | | 0.70 | | 0.35 | |
| 3/8 | | 020 | A | 15.88 | 10.37 | 11.84 | 0.73 | 2.0 | 0.42 | | |
| 40 | | 008 | 8 | 18.36 | 11.26 | 12.45 | 0.60 | | 0.55 | | |
| 7/16 | | 009 | 9 | 19.05 | 11.69 | 13.08 | 0.70 | | 0.29 | | |
| 1/2 | 1/4 | 021 | B | 20.57 | 13.74 | 15.21 | 0.73 | | 0.52 0.29 | | |
| 9/16 | | 010 | 10 | 22.23 | 14.86 | 16.39 | 0.76 | | 0.29 | | |
| 60 | | 022 | BB | 22.23 | 15.83 | 17.30 | 0.73 | | 0.30 | | |
| 5/8 | | 011 | 11 | 25.40 | 16.51 | 18.75 | 1.12 | | 0.32 | | |
| | 3/8 | 023 | C | 23.80 | 17.28 | 18.75 | 0.73 | 0.31 | | | |
| 11/16 | | 012 | 12 | 25.40 | 18.16 | 19.69 | 0.76 | 2.3 | 0.35 | | |
| 3/4 | | 024 | CC | 26.92 | 19.69 | 21.21 | 0.76 | | 0.32 | | |
| 13/16 | 1/2 | 025 | D | 28.58 | 21.54 | 23.01 | 0.73 | | 0.45 0.29 | | |
| 7/8 | 5/8 | 026 | E | 31.75 | 23.49 | 24.97 | 0.74 | | 0.63 0.29 | | |
| 15/16 | | 013 | 13 | 33.27 | 24.26 | 26.04 | 0.89 | | 0.23 | | |
| 1 | 3/4 | 027 | F | 34.93 | 27.05 | 28.53 | 0.74 | | 0.82 0.30 | | |
| 1+ 1/16 | | 028 | FF | 38.61 | 27.82 | 30.61 | 1.40 | | 0.41 | | |
| 1+1/8 | | 014 | 14 | 36.58 | 29.33 | 30.86 | 0.76 | 0.38 | | | |
| 1+3/16 | 7/8 | 029 | G | 38.10 | 30.81 | 32.29 | 0.74 | 0.33 0.30 | | | |
| 1+1/4 | | 015 | 15 | 41.40 | 32.64 | 35.69 | 3.2 | 1.52 | 0.45 | | |
| 1+5/16 | 1 | 030 | H | 42.80 | 33.89 | 36.88 | 3.2 | 1.50 | 0.25/0.51 | 0.28 0.40 | |
| 1+5/16 | 1 | 031 | HH | 42.80 | 33.89 | 36.88 | 2.3 | 1.50 | | 0.28 0.40 | |
| 1+3/8 | | 016 | 16 | 44.45 | 35.94 | 38.99 | | 1.52 | | 0.51 | |
| 1+1/2 | | 017 | 17 | 47.75 | 38.96 | 42.04 | | 1.54 | | 0.43 | |
| 1+5/8 | 1+1/4 | 032 | J | 52.38 | 42.93 | 45.93 | | 1.50 | | 0.82 0.51 | |
| 1+3/4 | | 018 | 18 | 57.15 | 45.34 | 48.39 | | 1.52 | | 0.45 | |
| 1+7/8 | 1+1/2 | 033 | K | 58.60 | 48.44 | 51.39 | | 1.47 | | 0.40 0.32 | |
| 2 | | 019 | 19 | 63.50 | 51.69 | 54.74 | 3.2 | 1.52 | 0.45 | | |
| 2+1/8 | | 034 | L | 69.85 | 54.89 | 58.30 | | 1.70 | 0.45 0.57 | | |
| 2+1/4 | | 035 | LL | 70.36 | 58.04 | 61.09 | | 1.52 | 0.45 | | |
| | 2 | 036 | M | 73.03 | 60.58 | 63.63 | | 1.52 | 0.48 | | |
| 2+1/2 | | 037 | MM | 77.72 | 64.39 | 67.44 | | 1.52 | 0.45 | | |
| | 2+1/4 | 038 | M | 79.50 | 66.68 | 69.98 | | 1.65 | 0.59 | | |
| | 2+1/2 | 039 | P | 90.17 | 76.08 | 79.38 | | 1.65 | 0.45 | | |

Bonded Seal Of Specification

UTECSA

| THREAD DIA. ' M' | SIZE REF * * * | D +0.13 -0.00 | d ±0.10 | d 1 ±0.10 | S | R ±0.1 | P +0.25 -0.00 | RADIAL GAP'G' ±0.05 | |
|---------------------|-------------------|---------------------|------------|--------------|------|-----------|---------------------|------------------------|------|
| 3.5 | 201 | 7.2 | 4.1 | 5.2 | 1 | 0.55 | 0.3 | 0.3 | |
| 4 | 202 | 7 | 4.5 | 5.4 | | 0.45 | | 0.25 | |
| 5 | 203 | 9 | 5.7 | 6.8 | | 0.65 | | 0.35 | |
| 5 | 204 | 10 | 5.7 | 7.4 | | 0.85 | | 0.35 | |
| 5.5 | 205 | 9.2 | 6.2 | 7.2 | | 0.5 | | 0.35 | |
| 6 | 206 | 10 | 6.7 | 8 | | 0.65 | | 0.35 | |
| 6 | 207 | 11 | 6.7 | 8.2 | | 0.75 | | 0.35 | |
| 6 | 208 | 11 | 6.7 | 8.2 | | 2.5 | | 0.75 | 0.35 |
| 6.5 | 209 | 12 | 7.1 | 8.8 | | 1 | | 0.85 | 0.3 |
| 8 | 211 | 13.4 | 8.5 | 9.4 | | | | 0.45 | 0.25 |
| 8 | 212 | 13 | 8.7 | 10 | 0.65 | | 0.35 | | |
| 8 | 213 | 14 | 8.7 | 10.4 | 0.85 | | 0.35 | | |
| 10 | 216 | 16 | 10.35 | 12 | 2 | 0.82 | 0.17 | | |
| 10 | 217 | 16 | 10.7 | 12.4 | 1.5 | 0.85 | 0.35 | | |
| 10 | 218 | 18 | 10.7 | 12.4 | | 0.85 | 0.35 | | |
| 11 | 220 | 18.5 | 11.8 | 13.7 | | 0.95 | 0.4 | | |
| 12 | 222 | 18 | 12.7 | 14.4 | | 0.85 | 0.35 | | |
| 12 | 223 | 20 | 12.7 | 14.4 | | 0.85 | 0.35 | | |
| 14 | 227 | 22 | 14.7 | 16.4 | | 0.85 | 0.35 | | |
| 16 | 229 | 24 | 16.7 | 18.4 | | 0.85 | 0.35 | | |
| 17 | 230 | 24 | 17.4 | 19.2 | | 0.9 | 0.2 | | |
| 18 | 232 | 26 | 18.7 | 20.4 | | 0.85 | 0.35 | | |
| 20 | 233 | 28 | 20.7 | 22.5 | | 0.9 | 0.35 | | |
| 22 | 236 | 30 | 22.7 | 24.4 | 2 | 0.85 | 0.35 | | |
| 22 | 237 | 30 | 22.7 | 24.4 | 3 | 0.85 | 0.35 | | |
| 24 | 238 | 32 | 24.7 | 26.4 | 2 | 0.85 | 0.35 | | |
| 26 | 239 | 35 | 26.7 | 28.4 | | 0.85 | 0.35 | | |
| 27 | 240 | 36 | 27.2 | 29 | | 0.9 | 0.1 | | |
| 28 | 241 | 37 | 28.7 | 30.4 | | 0.85 | 0.35 | | |
| 30 | 242 | 39 | 31 | 33 | | 1 | 0.5 | | |
| 33 | 243 | 42 | 33.7 | 35.8 | | 1.05 | 0.35 | | |
| 36 | 245 | 46 | 36.7 | 38.8 | | 1.05 | 0.35 | | |
| 42 | 247 | 53 | 42.7 | 44.4 | | 3 | 0.85 | 0.35 | |
| 48 | 248 | 59 | 48.7 | 50.8 | 1.05 | | 0.35 | | |

Bonded Seal Of Specification

UTECSA

| THREAD DIA. ' M' | SIZE REF *** | D +0.13 -0.00 | d ±0.10 | d1 ±0.10 | S | R ±0.1 | P +0.25 -0.00 | RADIAL GAP'G' ±0.05 | |
|---------------------|-----------------|---------------------|------------|-------------|-----|-----------|---------------------|------------------------|------|
| 6.7 | 210 | 10.2 | 7.3 | 8.6 | 1 | 0.65 | 0.3 | 0.3 | |
| 8 | 214 | 16 | 8.7 | 10.4 | | 0.85 | | 0.35 | |
| 8.5 | 215 | 13.3 | 9.3 | 10.5 | | 0.6 | | 0.4 | |
| 11 | 219 | 16.3 | 11.4 | 12.7 | 1.5 | 0.65 | 0.4 | 0.2 | |
| 11 | 221 | 19.1 | 11.8 | 13.5 | | 0.85 | | 0.4 | |
| 13 | 224 | 20 | 13.7 | 15.4 | | 0.85 | | 0.35 | |
| 13 | 225 | 22 | 13.7 | 15.4 | | 0.85 | | 0.35 | |
| 13 | 315 | 20.1 | 13.8 | 15.2 | | 0.7 | | 0.4 | |
| 13.5 | 226 | 18.7 | 14 | 15.7 | | 0.85 | | 0.25 | |
| 15 | 228 | 22.7 | 16 | 17.78 | | 0.89 | | 0.5 | |
| 17.5 | 231 | 24.7 | 18 | 20.1 | | 1.05 | | 0.25 | |
| 21 | 234 | 28.7 | 21.5 | 23.3 | | 2.5 | | 0.9 | 0.25 |
| 22 | 235 | 28 | 22.5 | 24.2 | | 1.5 | | | 0.25 |
| 23 | 325 | 32 | 23.7 | 25.4 | 2 | 0.85 | 0.4 | 0.35 | |
| 26 | 327 | 35.3 | 27 | 28.7 | | 0.85 | | 0.5 | |
| 28 | 329 | 36 | 28.6 | 30.3 | | 0.85 | | 0.3 | |
| 28.5 | 330 | 37.5 | 29.2 | 30.9 | | 0.85 | | 0.35 | |
| 33 | 244 | 43 | 34.3 | 36.4 | | 1.05 | | 0.65 | |
| 39 | 246 | 51 | 40 | 41.9 | 2.5 | 0.95 | 0.5 | | |
| 51 | 249 | 60 | 52 | 54.1 | 3 | | 0.5 | | |
| 52 | 250 | 64.5 | 53.3 | 56.4 | | | 0.65 | | |
| 60 | 251 | 73 | 60.7 | 63 | | 1.15 | 0.35 | | |
| 68 | 252 | 79.5 | 68.6 | 72.1 | 3.5 | 1.75 | 0.3 | | |
| 75 | 253 | 90.3 | 76.08 | 79.1 | 3.5 | 1.51 | 0.54 | | |
| 88 | 254 | 101.48 | 89.09 | 92.1 | 3.2 | 1.5 | 0.54 | | |
| 125 | 255 | 143.67 | 127 | 132.7 | 5 | | 1 | | |
| 6 | 305 | 13.27 | 6.85 | 8 | 1.3 | 0.57 | 0.3 | 0.42 | |
| 16.5 | 319 | 23.9 | 17.2 | 18.7 | 2 | 0.75 | 0.4 | 0.35 | |

Bonded Seal Of Specification

UTECSA

| THREAD DIA. ' M' | SIZE REF * * * | D +0.13 -0.00 | d ±0.10 | d 1 ±0.10 | S | R ±0.1 | P +0.25 -0.00 | RADIAL GAP'G' ±0.05 |
|---------------------|-------------------|---------------------|------------|--------------|---------|-----------|---------------------|------------------------|
| 3 | 301 | 7.5 | 3.6 | 5 | 1 | 0.7 | | 0.3 |
| 4 | 302 | 9 | 4.6 | 6 | 1 | 0.7 | | |
| 5 | 303 | 10 | 5.6 | 7 | 1 | 0.7 | | |
| 6 | 304 | 11 | 6.6 | 8 | 1 | 0.7 | 0.3 | |
| 6 | 306 | 11.4 | 7 | 8.4 | 1 | 0.7 | | 0.5 |
| 8 | 307 | 13 | 8.6 | 10 | 1 | 0.7 | | 0.3 |
| 10 | 310 | 17 | 10.7 | 12.1 | 1.5 | 0.7 | | 0.35 |
| 11 | 312 | 18.1 | 11.8 | 13.2 | 1.5 | 0.65 | | 0.4 |
| 12 | 313 | 19 | 12.7 | 14.1 | 1.5 | 0.7 | | 0.35 |
| 14 | 316 | 21 | 14.7 | 16.1 | 1.5 | 0.7 | | |
| 16 | 317 | 23 | 16.7 | 18.1 | 1.5 | 0.7 | | |
| 18 | 320 | 27 | 18.7 | 20.4 | 2 ±0.10 | 0.85 | | |
| 20 | 321 | 29 | 20.7 | 22.4 | 2 | 0.85 | | |
| 22 | 324 | 31 | 22.7 | 24.4 | 2 | 0.85 | | |
| 24 | 326 | 33 | 24.7 | 26.4 | 2 | 0.85 | | |
| 27 | 328 | 36 | 27.7 | 29.4 | 2 | 0.85 | 0.4 | |
| 30 | 331 | 39 | 30.7 | 32.4 | 2 | 0.85 | | 0.5 |
| 33 | 332 | 42 | 33.7 | 35.4 | 2 | 0.85 | | |
| 36 | 333 | 48 | 37 | 39.6 | 2.5 | 1.3 | | |
| 39 | 334 | 51 | 40 | 42.6 | 2.5 | 1.3 | | |
| 42 | 335 | 54 | 43 | 45.6 | 2.5 | 1.3 | | |
| 45 | 336 | 57 | 46 | 48.6 | 2.5 | 1.3 | | |
| 48 | 337 | 60 | 49 | 51.6 | 2.5 | 1.3 | | |

| THREAD DIA. ' M' | SIZE REF * * * | D -0.2 | d +0.2 | d 1 +0.2 | S ±0.1 | R ±0.2 | P +0.25 -0.00 |
|---------------------|-------------------|-----------|-----------|-------------|-----------|-----------|---------------------|
| 1/16 | 519 | 12.7 | 8.3 | 9.9 | 1.20 | 0.8 | 0.25 |
| 1/8 | 510 | 14.7 | 10.4 | 12 | | 0.8 | |
| 1/4 | 511 | 18.7 | 13.85 | 15.75 | | 0.95 | |
| 3/8 | 512 | 22.7 | 17.35 | 19.25 | | 0.95 | |
| 1/2 | 513 | 26.7 | 21.65 | 23.55 | | 0.95 | |
| 3/4 | 514 | 32.5 | 27.3 | 29.2 | | 0.95 | |
| 1 | 515 | 39.5 | 34.2 | 36.1 | 2 | 0.95 | |
| 1 1/4 | 516 | 49.5 | 42.8 | 44.7 | | 0.95 | |
| 1 1/2 | 517 | 55.5 | 48.7 | 50.6 | | 0.95 | |
| 2 | 518 | 68.5 | 60.5 | 62.4 | | 0.95 | |
| | 520 | 32.6 | 27.3 | 29.2 | | | |

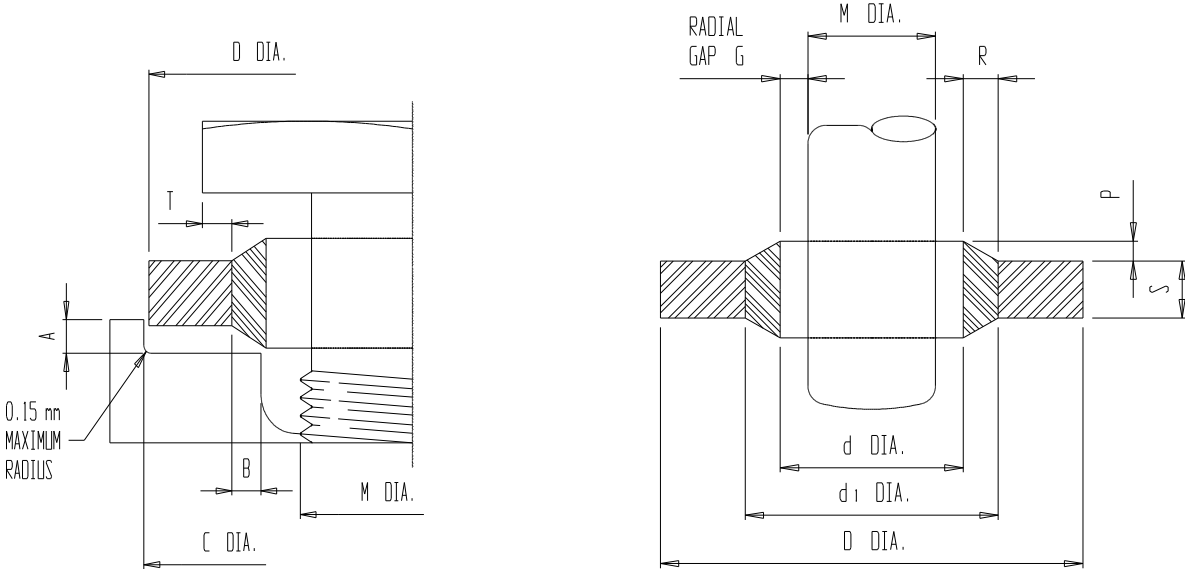
Bonded Seal Of Specification

UTECSA

| THREAD SIZE M | SIZE REF *** | d) ±0.13 | c) CENTRALISING LIP | | d1) ±0.10 | D) +0.13 | S ±0.10 |
|------------------|--------------------|-------------|------------------------|---------|--------------|-------------|------------|
| M8 | 866 | 8.70 | 6.40 | -0+0.25 | 10.40 | 14.00 | 1.00 |
| 1/8 BSP | 820 | 10.37 | 8.26 | | 11.84 | 15.88 | 2.00 |
| M10 | 708 | 10.70 | 8.05 | | 12.40 | 16.08 | 1.50 |
| M12 | 867 | 12.70 | 9.73 | | 14.10 | 19.00 | 1.50 |
| 1/4 BSP | 821 | 13.74 | 11.18 | | 15.21 | 20.57 | 2.00 |
| M14 | 868 | 14.70 | 11.38 | | 16.40 | 22.00 | 1.50 |
| 5/8 | 869 | 16.51 | 12.90 | | 18.75 | 25.40 | 2.00 |
| M16 | 870 | 16.70 | 13.41 | | 18.40 | 24.00 | 1.50 |
| 3/8 BSP | 823 | 17.28 | 14.76 | | 18.75 | 23.80 | 2.00 |
| 11/16 | 871 | 18.16 | 14.50 | | 19.69 | 25.40 | 2.50 |
| M18 | 872 | 18.70 | 14.76 | | 20.40 | 26.00 | 1.50 |
| M20 | 873 | 20.70 | 16.76 | | 22.50 | 28.00 | 1.50 |
| 1/2 BSP | 825 | 21.54 | 18.24 | | 23.01 | 28.58 | 2.50 |
| M22 | 874 | 22.70 | 18.74 | | 24.40 | 30.00 | 2.00 |
| 5/8 BSP | 826 | 23.49 | 20.27 | | 24.97 | 31.75 | 2.50 |
| M24 | 875 | 24.70 | 20.11 | | 26.40 | 32.00 | 2.00 |
| 3/4 BSP | 827 | 27.05 | 23.83 | | 28.53 | 34.93 | 2.50 |
| 7/8 BSP | 829 | 30.81 | 27.51 | | 32.29 | 38.10 | 2.50 |
| 1 BSP | 830 | 33.89 | 29.92 | 36.88 | 42.80 | 3.2 | |
| 1 1/4 BSP | 832 | 42.93 | 38.45 | 45.93 | 52.38 | 3.2 | |
| 1 1/2 BSP | 833 | 48.44 | 44.45 | 51.39 | 58.60 | 3.2 | |
| 1 3/4 BSP | 834 | 54.89 | 50.42 | 58.30 | 69.85 | 3.2 | |
| 2 BSP | 836 | 60.58 | 56.26 | 63.63 | 73.03 | 3.2 | |
| 2 1/4BSP | 838 | 66.68 | 62.36 | 69.98 | 79.50 | 3.2 | |
| 2 1/2BSP | 839 | 76.08 | 71.50 | 79.38 | 90.17 | 3.2 | |

Bonded Seal Of Specification

UTECSA



SES SCWS (SELF-CENTRING) BONDED SEAL

